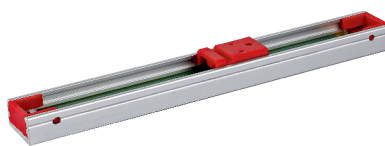


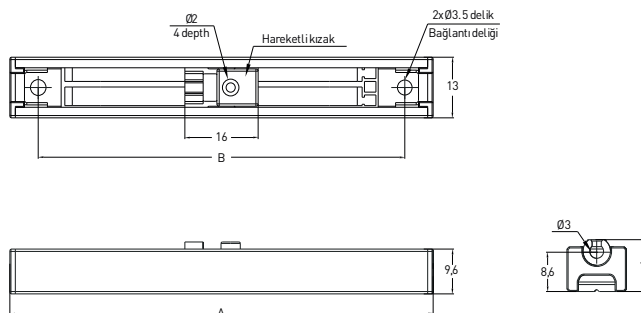
Linear Potentiometer

- Measuring range 25 - 150 mm
- Long mechanical life 30 million movement
- Excellent repeatability <0.01 mm
- Infinite resolution
- 2 kOhm : 25 ... 50 mm
- 5 kOhm : 75 ... 150 mm



Technical specifications

Measurement stroke	25 to 150 mm
Linearity	$\pm 0,2$ (75-130mm), $\pm 0,5$ (<75mm)
Repeatability	< 0.01 mm
Resolution	Infinite
Resistance	2 kOhm : 25 ... 50 mm 5 kOhm : 75 ... 150 mm
Resistance tolerance	± 20
Load resistance	100 kOhm min.
Recommended cursor current	<1 μ A
Permissible applied voltage	28 VDC max.
Displacement speed	< 5 m/s
Mechanical life	30 million movement
Case dimensions	13 mm x 9,60 mm
Case material	Anodized aluminium
Mechanical fixing	Variable brackets
Operating temperature	-20°C ... +80°C
Storage temperature	-30°C ... +90°C



SOPH (mm)	25	50	75	100	150
A ± 1	67,5	92,5	117,5	142,5	192,5
B $\pm 0,5$	55	80	105	130	180

Model	Measurement stroke (mm)	Linearity (%)	Resistance (kOhm)
(example) SOPH	75	D	2K
SOPH	25 ... 150 mm	D: $\pm 0,05$ (>200 mm), $\pm 0,1$ (130 - 200 mm), $\pm 0,2$ (75 - 130 mm), $\pm 0,5$ (<75 mm)	2K: 5 kOhm 5K: 10 kOhm